



Super Pump® VS

VARIABLE-SPEED PUMP SERIES

Energy Savings You Control

Hayward's best selling Super Pump is now even better! The new variable-speed Super Pump VS takes efficiency to the next level with up to 80% energy cost savings over traditional single-speed pumps.

Upgraded features such as a new built-in time-clock make operation even easier. The intuitive user interface is now rotatable so it always faces the right direction and the new wiring compartment makes installation quick and reliable.

Upgrade to Super Pump VS and save energy... and money!





Integrated, Programmable Interface
 Customize speed, start/stop times, and priming time while monitoring power consumption.

Exclusive, Swing-Away Hand Knobs
 Allow easy strainer cover removal without tools.

The digital interface shows power consumption for immediate feedback to maximize energy savings.

2-way rotatable interface that's always easy to read and operate.

New wiring compartment for quick and reliable installations

Advanced Motor Design
 Permanent magnet, totally-enclosed fan cooled (TEFC) design provides incredible energy efficiency and reliability.

110 Cubic-Inch Basket
 Extra leaf-holding capacity.

See-Through Strainer Cover
 Easy to see when the basket requires cleaning.

Self-Priming Capability
 Suction lift up to 10' above water level.

Incredibly quiet operation, especially at energy-saving, lower speeds.

Super Pump® VS

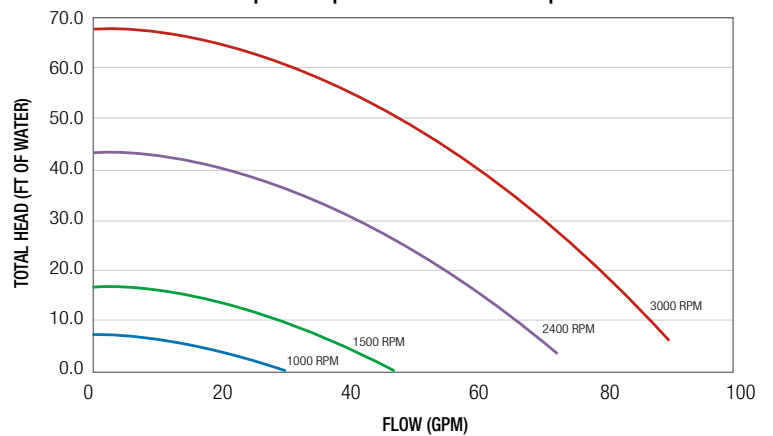
Variable-speed pumps are the ultimate way to save energy while enjoying your pool. Most other variable-speed models, however, are oversized when compared to medium-head pumps such as Hayward®'s Super Pump. The all-new Super Pump VS is right-sized, particularly for applications with 1.5" plumbing, providing tremendous energy savings that result in an even faster return on your investment.

The new intuitive time-clock makes programming even easier. The 2-way rotatable user interface is always easy to read & operate and the new wiring compartment for quick and reliable installations.

Super Pump VS provides customizable speed, start/stop times, and priming time to match the needs of both aftermarket and new construction installations. Advanced permanent magnet and totally enclosed fan cooled (TEFC) motor technologies provide incredible energy efficiency and reliability.

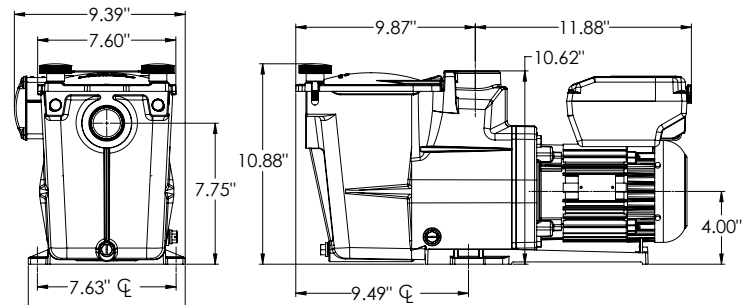
Upgrade and save with Super Pump VS!

Super Pump VS Performance Comparison



SUPER PUMP VS PUMP BUYING GUIDE

MODEL NUMBER	SP2602VSP
TOTAL HP	1.50
MOTOR DESIGN	PERMANENT MAGNET, TOTALLY-ENCLOSED
SPEED RANGE	600 - 3000 RPM
VOLTAGE	230V SINGLE PHASE
PORT SIZE	1 1/2"



Super Pump VS Pumps are listed by:



To take a closer look at Super Pump VS or other Hayward® products, go to hayward.com or call 1-888-HAYWARD.



Hayward, Hayward Energy Solutions and Super Pump are registered trademarks of Hayward Industries, Inc. © 2014 Hayward Industries, Inc.

All other trademarks not owned by Hayward are the property of their respective owners. Hayward is not in any way affiliated with or endorsed by those third parties.